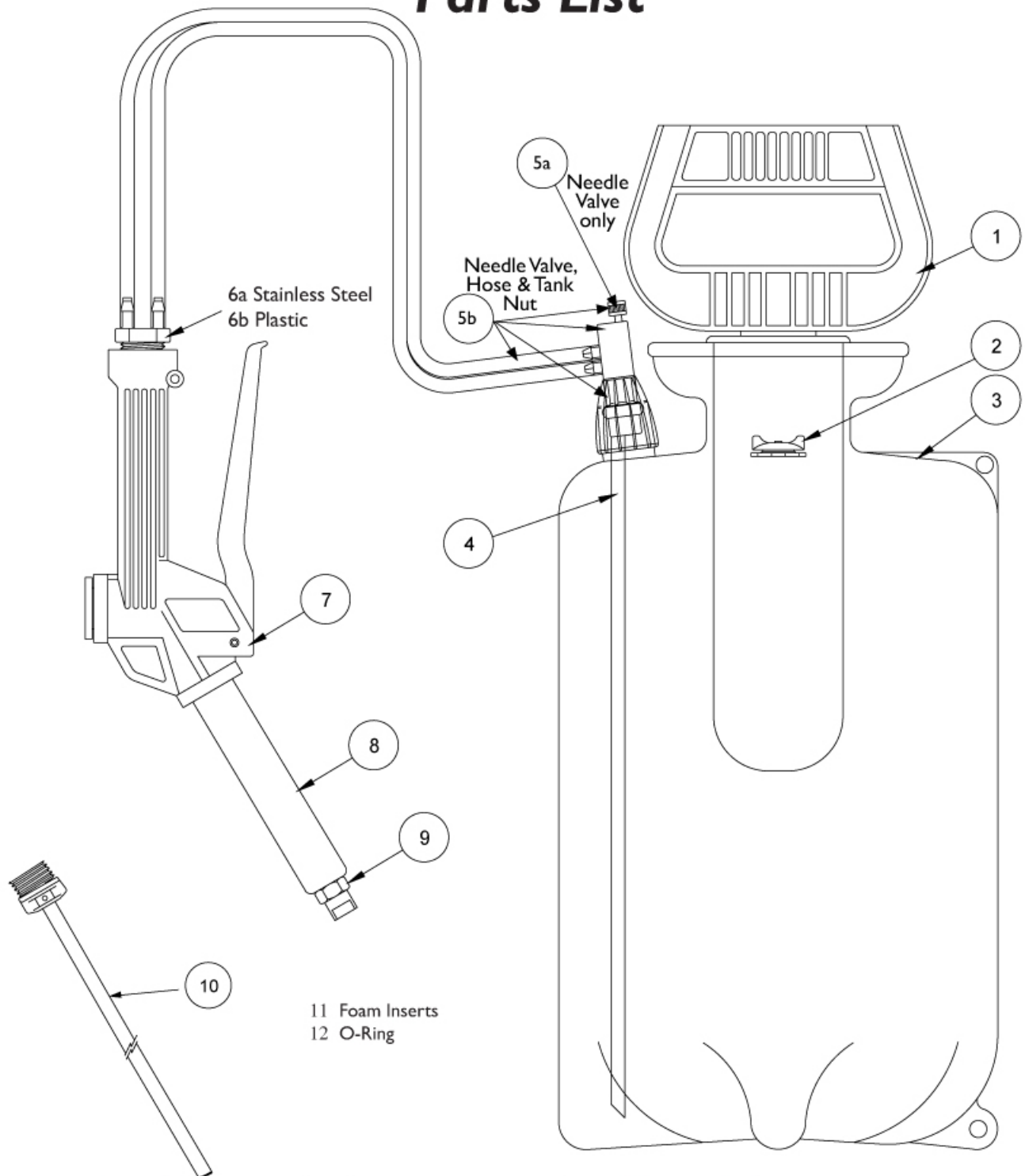


# Foamer Simpson

## Parts List



- |                            |           |                               |           |
|----------------------------|-----------|-------------------------------|-----------|
| 1. Black Pump Assembly     | (FSPT001) | 6b. Double Hose Barb          |           |
| 2. Pressure Relief Valve   | (FSPT002) | (Plastic) w/Clamps            | (FSPT06b) |
| 3. Two Gallon Tank         | (FSPT003) | 7. Poly Spray Gun w/O Rings   | (FSPT007) |
| 4. Pick-Up Tube            | (FSPT004) | 8. 4" Poly Wand w/Foam Insert | (FSPT008) |
| 5a. Needle Valve Only      | (FSPT05a) | 9. Stainless Steel Spray Tip  | (FSPT009) |
| 5b. Needle Valve Assembly  | (FSPT05b) | 10. Poly Extension Wand       | (FSPT010) |
| 6a. Double Hose Barb       |           | 11. Extra Foam Inserts        | (FSPT011) |
| (Stainless Steel) w/Clamps | (FSPT06a) | 12. Extra O-Rings             | (FSPT012) |