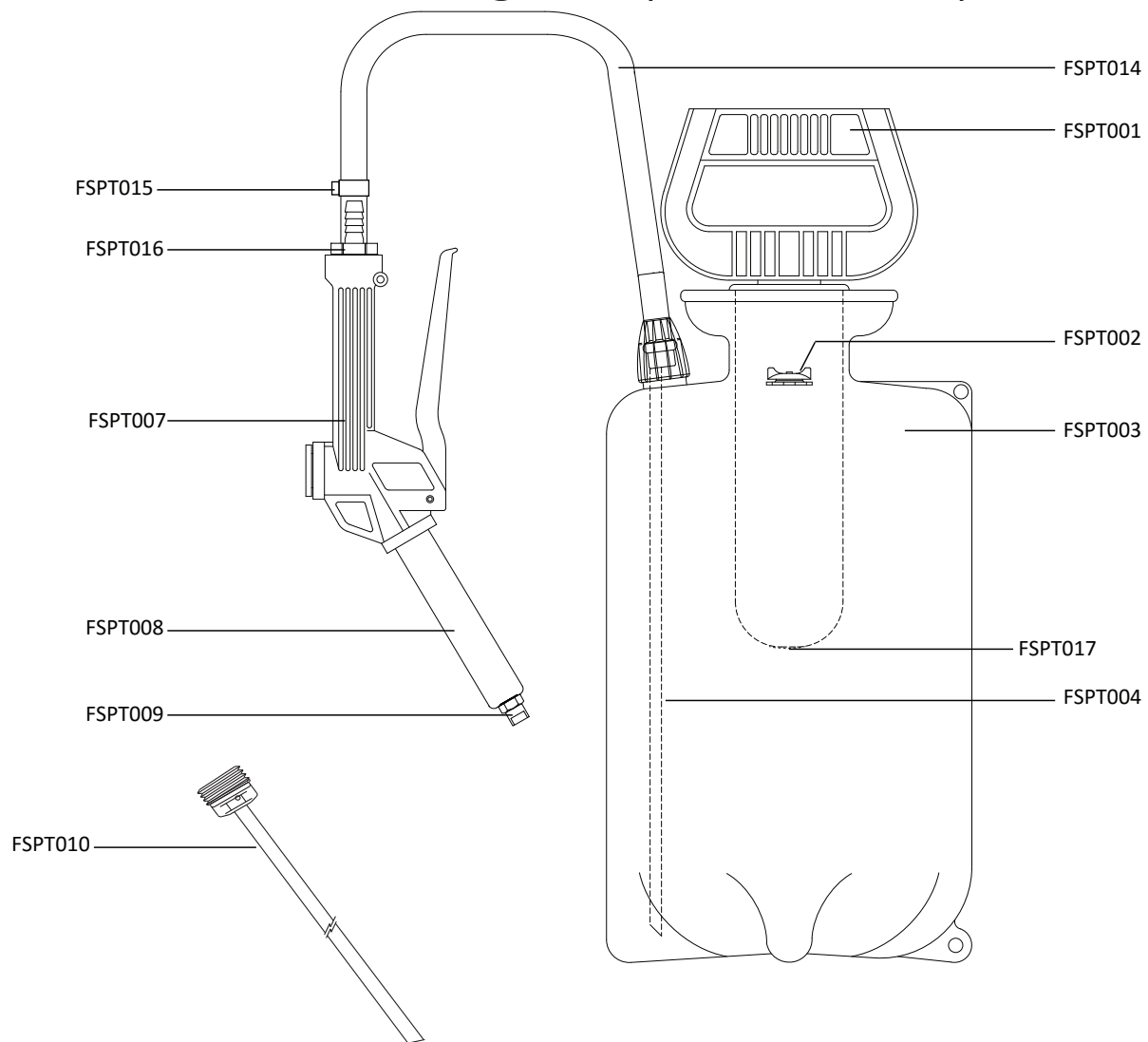


# Foamer Simpson

## Parts Diagram (2016 Model)



FSPT001	BLACK PUMP ASSEMBLY
FSPT002	PRESSURE RELIEF VALVE
FSPT003	TWO GALLON TANK
FSPT004	PICK-UP TUBE
FSPT007	POLY SPRAY GUN WITH O-RINGS
FSPT008	4 INCH POLY WAND WITH FOAM INSERT
FSPT009	STAINLESS STEEL SPRAY TIP
FSPT010	POLY EXTENSION WAND
FSPT014	48 INCH SINGLE LINE HOSE WITH TANK NUT
FSPT015	WORM DRIVE CLAMP
FSPT016	STAINLESS STEEL HOSE BARB
FSPT017	CHECK VALVE (red)