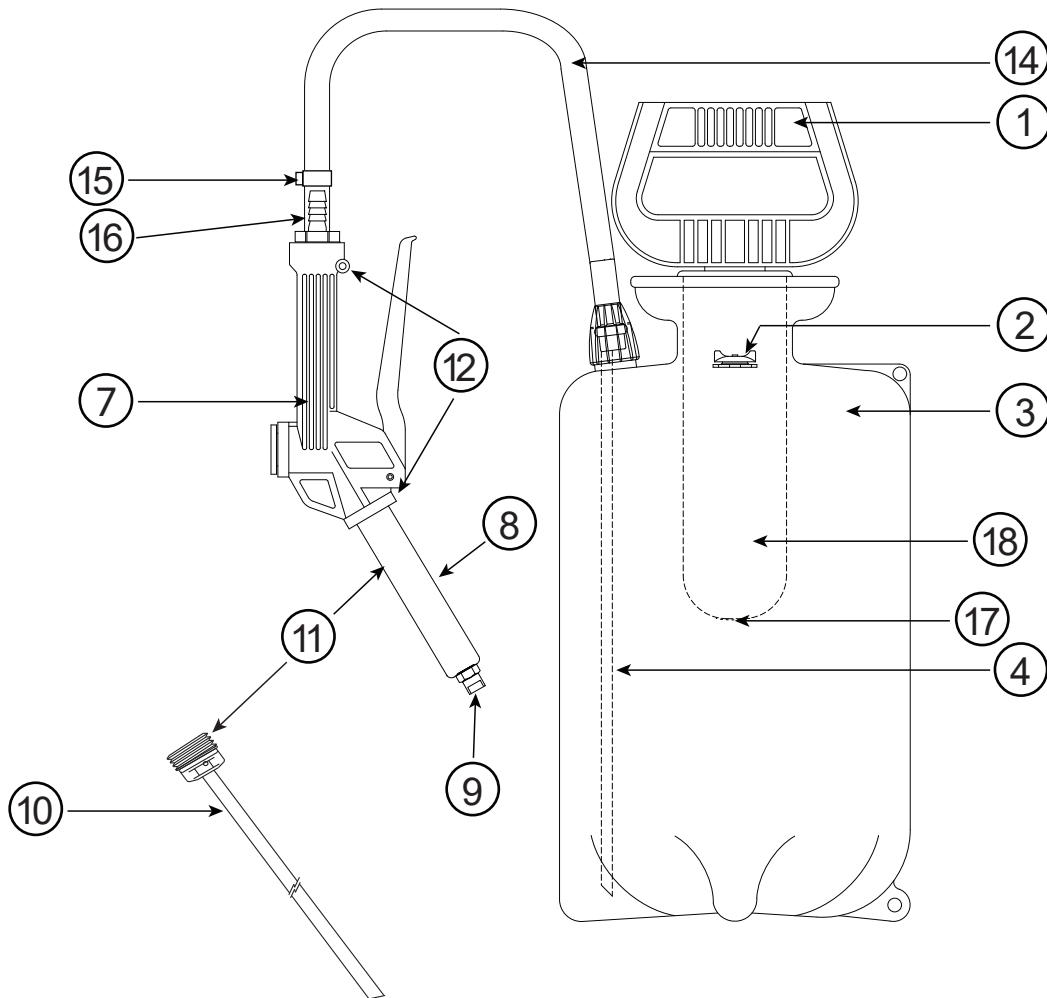


Foamer Simpson™

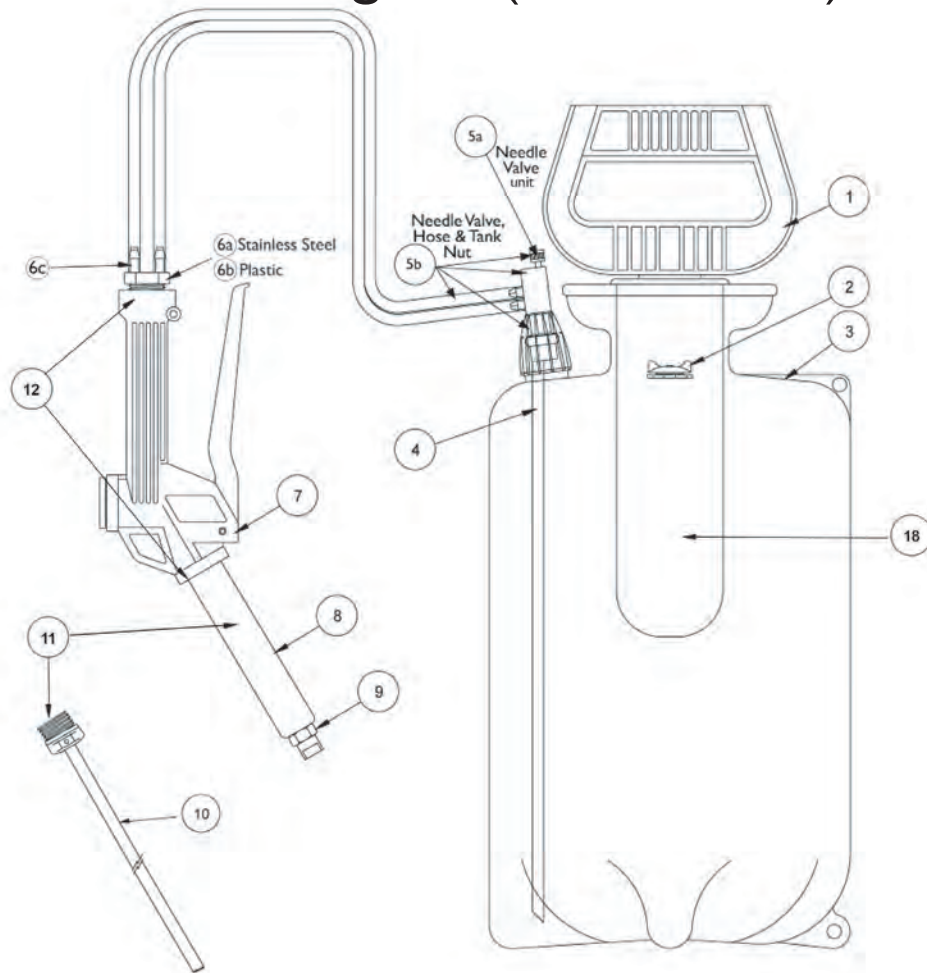
Parts Diagram (2016 to 6/2020)



PART CODE	PART #	PART DESCRIPTION
FSPT001	Part 1	Pump assembly, incl o-ring and check valve (PART NOT AVAILABLE)
FSPT002	Part 2	Pressure relief valve for tank
FSPT003	Part 3	Two gallon tank w/pressure relief valve (PART NOT AVAILABLE)
FSPT004	Part 4	Pick-up tube
FSPT007	Part 7	Poly spray handle w/o-rings
FSPT008	Part 8	4" poly wand w/foam insert
FSPT009	Part 9	Stainless steel spray tip
FSPT010	Part 10	18" poly extension wand w/foam insert
FSPT011	Part 11	Foam insert for poly wand
FSPT012	Part 12	O-ring for poly spray gun
FSPT014	Part 14	48" Single line hose assembly
FSPT015	Part 15	Worm gear clamp
FSPT016	Part 16	1/2' x 3/8" stainless steel hose barb
FSPT017	Part 17	Check valve for pump unit (PART NOT AVAILABLE)
FSPT018	Part 18	O-ring for pump unit inside pump assembly, 1.44 ID x 1.76 OD

Foamer Simpson™

Parts Diagram (2005 Model)



PART CODE	PART #	PART DESCRIPTION
FSPT001	Part 1	Pump assembly, incl o-ring and check valve (PART NOT AVAILABLE)
FSPT002	Part 2	Pressure relief valve for tank
FSPT003	Part 3	Two gallon tank w/pressure relief valve (PART NOT AVAILABLE)
FSPT004	Part 4	Pick-up tube
FSPT05a	Part 5a	Needle valve unit only
FSPT05b	Part 5b	Needle valve assembly w/tank nut and double hose
FSPT06a	Part 6a	Double hose barb (stainless steel) w/clamps
FSPT06b	Part 6b	Double hose barb (plastic) w/clamps
FSPT06c	Part 6c	Oetiker clamp for double hose barb
FSPT007	Part 7	Poly spray gun handle w/o-rings
FSPT008	Part 8	4" poly wand w/foam insert
FSPT009	Part 9	Stainless steel spray tip
FSPT010	Part 10	18" poly extension wand w/foam insert
FSPT011	Part 11	Foam insert for poly wand
FSPT012	Part 12	O-ring for poly spray gun
FSPT018	Part 18	O-ring for pump unit 1.44 ID x 1.76 OD